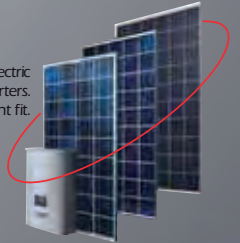


Mitsubishi Electric
modules and inverters.
Just the right fit.



Inverter S Series

PV-S2600 Nominal Output
2.6 kW

PV-S3200 Nominal Output
3.2 kW

PV-S4200 Nominal Output
4.2 kW

PV-S4600 Nominal Output
4.6 kW

PV-S6000 Nominal Output
6.0 kW

**Best Performance
with Long Reliability**



Energy Performance

- Higher efficiency of 97.8 % (PV-S6000), 97.5 % (PV-S4600), 97.5 % (PV-S4200), 96.8 % (PV-S3200), 96.6 % (PV-S2600)
- Dual precision MPPT for each DC input*
*PV-S4200 and PV-S4600 model

Reliability

- Original "generous design" concept
- Cooling fan control attuned to temperature
- Highly reliable aluminum housing developed from Mitsubishi Electric solar module technology

Safety

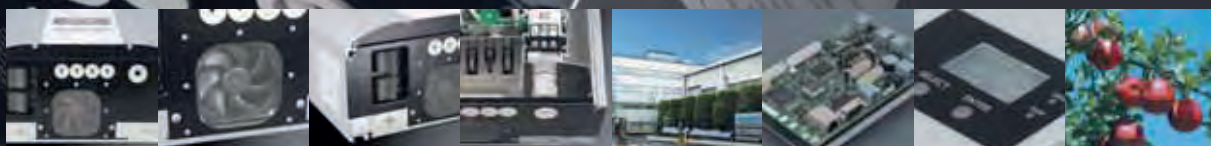
- Perfectly sealed metal housing ensures non-flammability (including the connection area)
- "UL94V-0" Compliant resin material used

Easy Installation

- IP54, outside or inside installation possible
- All-in-one style
DC disconnector included, integrated into the case. Optional (internal) data logger available
- Parallel installation in tight spaces
- AC connection with various terminals
- DC connection with MC4 connector
- Configuration software

User Friendly

- 255x160-pixel dot matrix LCD display, five-line screen
- Easy optical operation switch

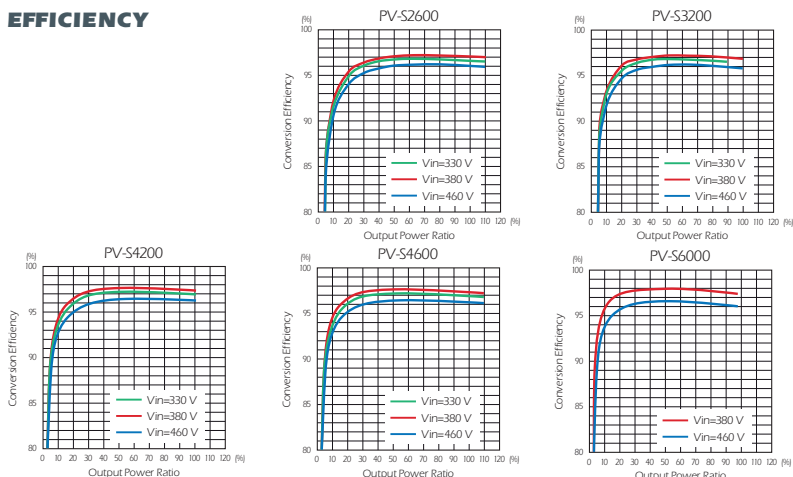


INVERTER SPECIFICATIONS

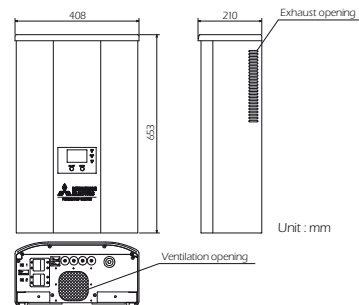
	Model name	PV-S2600	PV-S3200	PV-S4200	PV-S4600	PV-S6000
Input	Recommended generator power based on installation place	3480 Wp *1	3840 Wp *1	5040 Wp *1	6120 Wp *1	7200 Wp *1
	Max. DC input power	3000 W	3310 W	4320 W	5250 W	6170 W
	Max. DC input voltage	700 VDC				
	Min. DC input voltage	160 VDC				
	DC voltage range, MPPT	300-600 VDC *3	370-600 VDC *3	240-600 VDC *3	270-600 VDC *3	370 *2-600 VDC *3
	Max. DC input current	9 ADC		9 ADC x 2		
	Number of MPPT	1		2		1
	Max. number of strings	1		2		
Output	Nominal AC power	2600 W	3200 W	4200 W	4600 W	6000 W
	Max. AC power	2600 W	3200 W	4200 W	4600 W	6000 W
	Max. AC current	12.6 A	13.9 A	18.3 A	22.2 A	26.1 A
	Total harmonic distortion	< 5 % at nominal AC power output				
	Nominal AC voltage/AC frequency	230 VAC/50 Hz				
	AC connection	Single-phase				
	Power factor	approx. 1				
Energy performance	Max. efficiency	96.6 %	96.8 %	97.5 %	97.5 %	97.8 %
	Euro efficiency	95.8 %	96.1 %	96.8 %	96.9 %	97.2 %
	Start feeding-in at	40 W				
	Consumption stand-by/Nighttime	0.5 W				
General specifications	Dimensions (WxHxD)	408 x 653 x 210				
	Weight (approx.)	24 kg				
	Noise level	45 dB				
	Insulating style	Transformer-less				
	Ambient temperature	-25-50 degrees °C *4				
	Ambient humidity	0-100 % Rh *5				
	Protection	Over-heating protection, ground fault protection				
	Protection class	IP54				
Other specifications	Equipment	DC-disconnector, cooling fan				
	Display	Dot matrix LCD (white LED backlight), 5-line screen				
	Connection DC	Multi Contact locking connector (MC4)				
	Connection AC	Terminal block				
	External communication	RS-485				
Warranty term	5 years (standard)/10 years (option)					

*1: Maximum values allowed. The configuration must take into account the values of irradiation and temperature.
 *2: Based on a grid voltage of 230V. May change depending on the grid voltage. *3: PV inverters can output the nominal AC power in this range.
 *4: The temperature range for maximum output power is between -25°C and 40°C. *5: Assuming no water condensation occurring.

EFFICIENCY



DIMENSIONS



Mitsubishi Electric Europe B.V.
 Photovoltaic Division
 Gothaer Str. 8
 D-40880 Ratingen
 Phone: +49 (0) 2102 486 1593
 Fax: +49 (0) 2102 486 1537
 Web: www.mitsubishi-pv.de
 E-Mail: info@mitsubishi-pv.de

Your dealer is: